

SERIES: TL 1000 bar Tensioners

1034 bar / 15,000 psi pressure
15mm stroke



SAFE AND RELIABLE

- Over-stroke protection
- Max stroke indicator
- Pressure Test Certification
- Full colour operating and safety manual
- Long life performance

LATEST TECHNOLOGY

- Latest seal technology
- ARMOURMAX surface treatment
- High cycle life
- Optimised load to weight ratio
- Integrated system with TensionPro pumps and hoses

IN STOCK FOR QUICK DELIVERY

TL series standard range tensioners are versatile and reliable hydraulic tensioners suitable for all bolting applications. Optimised for top-side applications they are perfect for tightening ANSI, ASME and API flanges.

LEGACY EQUIPMENT

TL Hydraulic Tensioners are designed to be interchangeable with legacy 1000 bar equipment. Suitable for use with existing 1000 bar hoses and pumps, the tools are also interchangeable with several other brands of 1000 bar tensioner equipment. Spares for most makes and models or tensioner equipment also available.

OPTIONS AND FEATURES

- Special threads
- Special load requirements
- Twin or single port
- Special bridge for tight clearance
- Oil pressure calculations
- Long stroke designs
- Interchangeable parts
- High temperature options

PAL PURE AXIAL LOADING

The TensionPro Tensioner method allows bolts to be loaded with an accurate force that is directly proportional to the pressure applied to the tool. **NO FRICTION** bolt tightening for an accurate and repeatable bolt tightening method. The tensioner load or force is easily calculated:

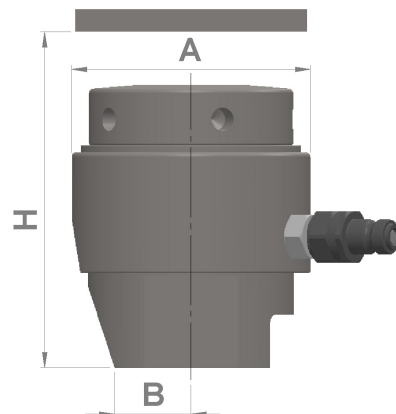
$$F = (P \times A) / 10,000$$

Tensioner Force	F [kN]
Tool Pressure Area	A [mm ²]
Pressure	P [kN]

SERIES: TL Tensioners

1034 bar / 15,000 psi pressure

15mm stroke



Tool No	Bolt Thread Size		Maximum Tensioner Load		Pressure	Tool OD	Height Clear	Bridge Clear	Weight
	T		F		HPA	A	H	B	W
	inch	Metric	tonf	kN	mm ²	mm	mm	mm	kg
TL-1	-	M30	36.17	360.3	3485	107	167	36	5.4
	1 1/4	M33					170	36	5.2
	1 3/8	M36					176	39	5.1
TL-2	1 1/4	M33	44.39	442.2	4276	117	172	36	6.4
	1 3/8	M36					178	39	6.3
	1 1/2	M39					187	42	6.2
TL-3	1 1/2	M39	61.34	611	5909	136	191	42	9.4
	1 5/8	M42					196	45	9.4
	1 3/4	M45					202	49	9.4
TL-4	1 5/8	M42	81.81	814.9	7881	150	198	45	11.8
	1 3/4	M45					204	49	11.7
	1 7/8	M48					210	51	12
	2	M52					217	54	12.2
TL-5	1 7/8	M48	102.7	1023	9894	169	210	51	15
	2	M52					217	54	15.1
	2 1/4	M56					227	59	15.6
TL-6	2 1/4	M56	132.3	1318	12743	190	234	59	20.6
	-	M60					245	64	21.5
	2 1/2	M64					249	64	21
TL-7	2 1/2	M64	165.5	1649	15944	208	256	64	26.2
	-	M68					266	71	27.1
	2 3/4	M72					270	71	26.4
TL-8.5	2 3/4	M72	190.2	1894	18322	222	270	71	30
	3	M76					281	77	32.5
TL-9	3	M76	226	2252	21778	239	288	87	37.5
	-	M80					299	87	37.1
	3 1/4	M85					304	87	36.2
	3 1/2	M90					316	93	35.6
TL-10	3 3/4	M95	271.4	2704	26147	276	326	99	54.4
	4	M100					338	105	55.7