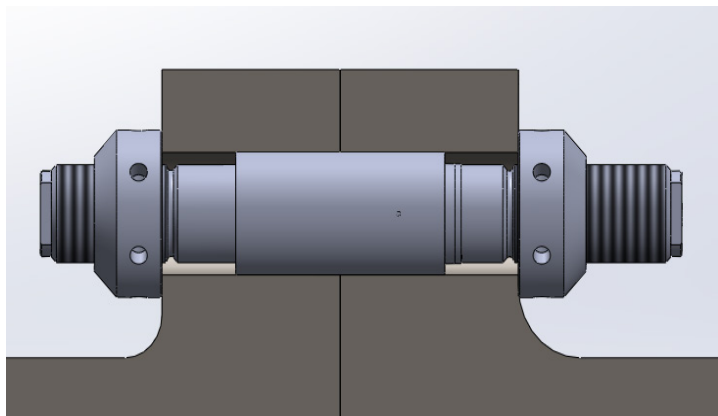




Next Generation Hydraulic Coupling Bolts for Marine



HYCOBOLT The next generation alternative to conventional fitted bolts on rotating machinery:

- Reduce vibration
- Eliminate coupling slippage
- No re-machining
- Lower life cycle costs
- Eliminate outage delays from stuck bolts
- Quicker and easier to install
- Ensure shaft alignment
- Direct retrofit

The most advanced hydraulic coupling bolt, delivering high performance torque transmission for critical high load rotating shafts and couplings. The HYCOBOLT is a direct retrofit replacement or alternative to a conventional coupling bolt, providing significant benefits through both operational improvements in coupling performance and time saving during plant maintenance periods. The benefits of the HYCOBOLT can be fully exploited when used in high value capital equipment where demanding performance requirements and maximising availability are a priority.

Hydraulic coupling bolt technology is an established solution for the Marine industry and is approved by major Classification Societies. The HYCOBOLT can be used in all types of equipment including marine propulsion shaft lines, dredger cutter shafts, marine foundation bolting, hydro and wind turbines; also large electric motor drives, and heavy rotating machinery.

The innovative HYCOBOLT design overcomes the problems of conventional and previous generation coupling bolts with a fast and reliable installation and removal process. The overall coupling performance and capacity is improved by the introduction of the HYCOBOLT supporting the most demanding applications and satisfying Classification Rules. Safety is improved for new build and ongoing inspection/maintenance using the HYCOBOLT when compared to conventional torque, reamer and shrink-fit bolting systems. The HYCOBOLT offers a significant return on capital investment through time saving, predictable and controlled drydock scheduling, and maximizing availability.

MULTIPLE APPLICATIONS

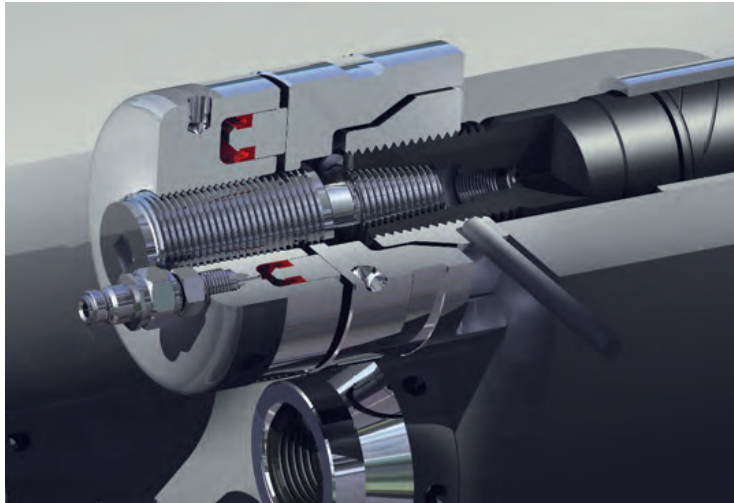
- Marine propulsion shaft lines
- Marine foundation bolting
- Dredger cutter shafts
- Large electric motor drives
- Propellers, Tiller and Pintles
- Drive-up systems
- Taper shaft hydraulic systems



High pressure pumps, hoses and ancillaries available from stock to suit all brands of hydraulic coupling bolt equipment. All items supplied with test certification and CE marked



**Next Generation
Hydraulic Coupling Bolts
for Marine**



THE HYCOBOLT ADVANTAGE

- Innovative design
- 30 years experience
- Achievable hole preparation
- Internal seals for superior bolt removal
- Optional fully nitrided bolt
- Improved installation & removal process
- Simplified compact hydraulic tooling
- Extensive development and test programme
- Completely reusable

BENEFITS

- Maximise plant availability
- Effective planning
- Time saving solution
- Improved overall coupling performance
- Supports turbine upgrade paths
- Improved site safety
- Reduce unplanned rework
- Reduce vibration
- Reliability



MAXIMISE AVAILABILITY

- No coupling slippage or stuck bolts
- No hole damage or re-machining
- Fast and easy to install and remove
- Shaft Alignment established and held

AVAILABILITY

- Retrofit design
- Established solution
- Classification Society Approved
- Ship owner preferred
- All types of ships & coupling designs