

SERIES: HTSS Subsea Tensioners

1500 bar pressure
30 mm stroke



SAFE AND RELIABLE

- CE marked
- Over-stroke protection
- Max stroke indicator
- Pressure Test Certification
- Full colour operating and safety manual
- Long life performance

OPTIONS AND FEATURES

- Special threads
- Special load requirements
- Twin or single port
- Compact size for tight clearance
- Oil pressure calculations
- Long stroke design
- Split nuts or solid nuts

HTSS series Subsea tensioners are versatile and reliable hydraulic tensioners optimised for use on subsea bolting.

They are designed to suit ANSI, ASME and API flanges. The tools are treated with a special double surface treatment for anti-corrosion, long life performance.

ERGONOMIC DESIGN

HTSS series tools have several design features for easy diver operation:

- One-piece body design
- Anti-slip tool surface
- Contoured “grip” reaction nuts
- Highly visible white finish

30mm LONG STROKE

A long piston stroke allows the diver to complete the bolt tightening in one hit without having to return the tool to the surface to reset the piston. Saving time and money.

SOLID AND SPLIT NUT OPTIONS

Interchangeable solid or split reaction nut options to suit the application and the project budget.

Split reaction nuts offer speed of use for some applications.

Solid reaction nuts offer zero maintenance performance and give fail-safe operation for applications with large or unknown bolt misalignment.

HTSS tensioners offer complete flexibility.

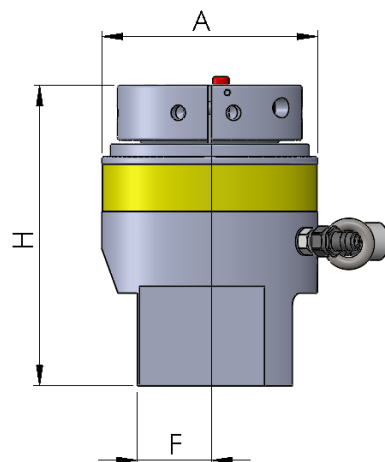
ANCILLARY SUBSEA EQUIPMENT FROM STOCK

- Pumps
- Hose Reels
- Downline

SERIES: HTSS Subsea Tensioners

1500 bar pressure

30 mm stroke



Tool No	Bolt Thread Size		Maximum Tensioner Load		Pressure Area	Tool OD	Height	Bridge Clear	Weight
	T		F		HPA	A	H	F	W
	inch	Metric	tonf	kN	mm ²	mm	mm	mm	kg
HTSS-1	3/4	M20	15.7	140	934	66	107	19	1.5
	7/8	M22							
HTSS-2	1	M24	27	240	1600	82	139	24.5	2.8
	1 1/8	M27							
	-	M30							
HTSS-3	1 1/4	M33	43	380	2534	97	142	28	4
	1 3/8	M36							
HTSS-4	1 1/2	M39	62	550	3668	111	147	33.5	6
	1 5/8	M42							
HTSS-5	1 3/4	M45	99	880	5868	136	160	40	9
	1 7/8	M48							
	2	M52							
HTSS-6	2 1/4	M56	175	1560	10411	177	178	53	15
	2 1/2	M60							
	2 3/4	M64							
	-	M68							
	-	M70							
HTSS-7	3	M76	289	2575	17176	217	195	88	25
	3 1/4	M80							
	3 1/2	M85							
	-	M90							
HTSS-8	3 3/4	M95	388	3447	22997	248	224	90	39
	4	M100							