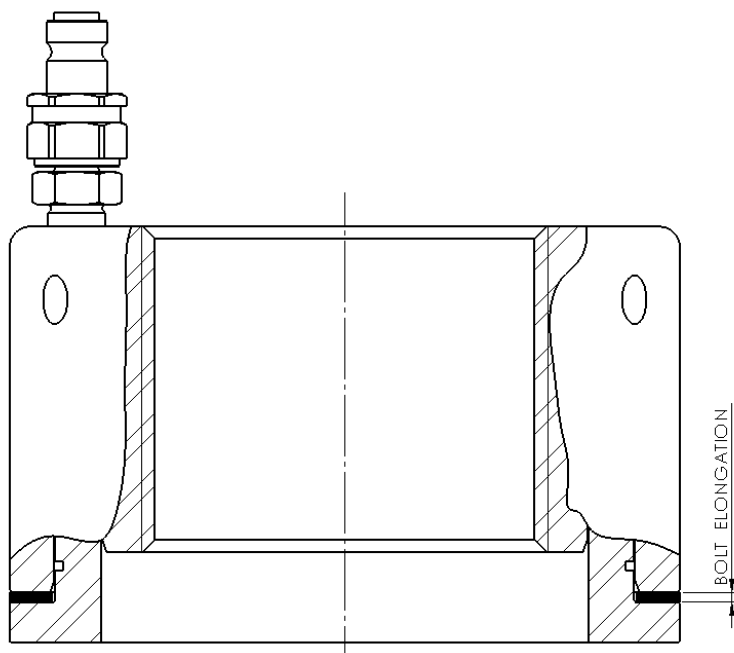


SERIES: HNST Shim Type Hydraulic Nuts



1500bar to 2500 bar pressure depending on nut model

Bolt Thread Size		Maximum Nut Load		Nut Height	Nut OD	Stoke
T		F		H	A	S
inch	Metric	kN	tonf	mm	mm	mm
-	M30	250	25.1	42	66	6
1 1/4	M33	250	25.1	42	66	6
1 3/8	M36	310	31.1	42	72	6
1 1/2	M39	360	36.1	42	78	6
1 5/8	M42	430	43.2	42	86	6
1 3/4	M45	480	48.2	45	91	9
1 7/8	M48	570	57.2	48	96	9
2	M52	620	62.2	52	102	9
2 1/4	M56	590	59.2	56	107	9
2 1/2	M64	750	75.3	64	122	9
2 3/4	M68	910	91.3	68	133	11
3	M72	1050	105.4	72	144	11
3 1/4	M80	1275	128.0	80	158	11
3 1/2	M90	1450	145.5	90	168	11
3 3/4	M95	1675	168.1	95	180	11
4	M100	1950	195.7	100	195	16
4 1/2	M115	2375	238.4	115	215	16
5	M125	2900	291.0	120	240	16
5 1/2	M140	3550	356.2	140	265	16
6	M150	4190	420.5	150	285	16

HNST Hydraulic Nuts are used in direct replacement of the existing conventional nut. They allow accurate loading of the bolt, and the load is then permanently retained by means of a shim inserted between the nut body and piston equal to the bolt elongation (plus joint compression).

This style of nut is particularly suited for applications such as press tie-rods with shock loadings, these nuts also allow for very accurate retention of a specific required bolt elongation.

SAFE AND RELIABLE

- CE marked
- Safe over-stroke device
- Pressure Test Certification
- Full colour operating and safety manual
- Long life performance
- Axial or radial port configurations
- Designs to suit special thread or load requirements
- Latest seal technology
- Integrated system with TensionPro pumps and hoses
- Available on quick delivery