

## SERIES: HNTC Top Collar Hydraulic Nuts



**HNTC** Hydraulic Nuts are used in direct replacement of the existing conventional nut. They allow accurate loading of the bolt, and the load is then permanently retained by means of a load locking collar.

### PAL PURE AXIAL LOADING

TensionPro hydraulic nuts allow bolts to be loaded with an accurate force that is directly proportional to the pressure applied to the tool.

**NO FRICTION** bolt tightening for an accurate and repeatable bolt tightening method.

The tensioner load or force is easily calculated:

$$F = (P \times A) / 10,000$$

Tensioner Force	F [kN]
Tool Pressure Area	A [mm <sup>2</sup> ]
Pressure	P [kN]

### OPTIONS

- Thread sizes from M20 to M200
- Imperial or metric
- Designs to suit special load requirements
- Special threads
- Temperatures from 20° to 200°C
- Subsea use
- Long stroke designs
- Single or twin ports
- Corrosion resistant plating
- Stainless steel versions

### SAFE AND RELIABLE

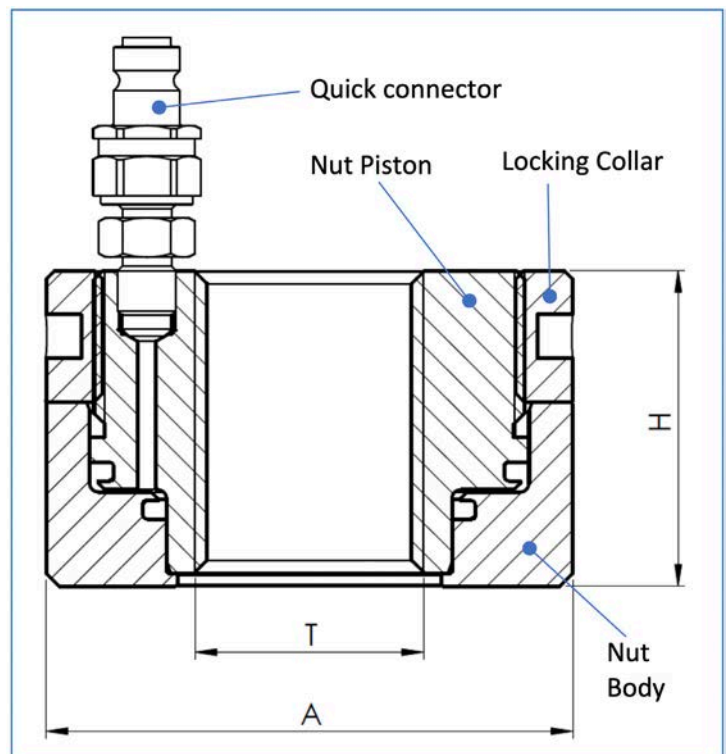
- CE marked
- Safe over-stroke device
- Max stroke indicator
- Pressure Test Certification
- Full colour operating and safety manual
- Long life performance

### LATEST TECHNOLOGY

- Latest seal technology
- High cycle life
- Optimised load to weight ratio
- Integrated system with TensionPro pumps and hoses

### PROCESS IMPROVEMENT

**HNTC** Hydraulic nuts are quick and simple to use. Installed by hand in minutes, multiple nuts are harnessed together to give **IMPROVED SPEED** for the bolt tightening process. The even joint compression ensures uniform bolt loading and gasket compression that gives superior bolted joint performance.



## SERIES: HNTC Top Collar Hydraulic Nuts

HNTC-25 Range - MAX 2500 bar pressure

Part Number		Bolt Thread Size		Nut Maximum Load		Pressure Area	Nut OD	Nut Height	Nut Stroke	Weight
Metric	Imperial	Metric	Imperial	kN	tonf	HPA	A	H		
						mm <sup>2</sup>	mm	mm	mm	kg
HNTC-25-M22	HNTC-25-0875	M22	7/8	152	15.2	607	55	44	5	0.7
HNTC-25-M24	HNTC-25-1000	M24	1	176	17.7	705	58	45	5	0.8
HNTC-25-M27	HNTC-25-1125	M27	1 1/8	230	23.1	919	60	46	5	0.8
HNTC-25-M30	-	M30	-	280	28.1	1121	66	48	5	1.0
HNTC-25-M33	HNTC-25-1250	M33	1 1/4	312	31.3	1248	71	52	6	1.3
HNTC-25-M36	HNTC-25-1375	M36	1 3/8	368	36.9	1470	77	56	6	1.6
HNTC-25-M39	HNTC-25-1500	M39	1 1/2	390	39.2	1561	80	58	6	1.7
HNTC-25-M42	HNTC-25-1625	M42	1 5/8	448	45.0	1793	85	61	6	2.0
HNTC-25-M45	HNTC-25-1750	M45	1 3/4	522	52.4	2090	92	64	6	2.5
HNTC-25-M48	HNTC-25-1875	M48	1 7/8	589	59.1	2357	97	68	8	3.0
HNTC-25-M52	HNTC-25-2000	M52	2	703	70.6	2813	105	70	8	3.6
HNTC-25-M56	HNTC-25-2250	M56	2 1/4	812	81.5	3248	113	72	8	4.2
HNTC-25-M60	-	M60	-	945	94.8	3779	122	74	8	5.1
HNTC-25-M64	HNTC-25-2500	M64	2 1/2	1070	107.4	4282	129	80	8	6.1
HNTC-25-M68	HNTC-25-2750	M68	2 3/4	1222	122.7	4888	137	84	10	7.3
HNTC-25-M72	HNTC-25-3000	M72	3	1384	138.9	5536	146	88	10	8.7
HNTC-25-M80	HNTC-25-3250	M80	3 1/4	1738	174.4	6950	162	92	10	11.2
HNTC-25-M90	HNTC-25-3500	M90	3 1/2	2236	224.4	8945	184	96	10	15.1
HNTC-25-M95	HNTC-25-3750	M95	3 3/4	2509	251.8	10037	194	100	10	17.5
HNTC-25-M100	HNTC-25-4000	M100	4	2798	280.8	11191	204	105	15	20.3
HNTC-25-M110	HNTC-25-4500	M110	4 1/2	3422	343.5	13689	225	110	15	26.0
HNTC-25-M125	HNTC-25-5000	M125	5	4477	449.3	17906	257	125	15	38.6
HNTC-25-M140	HNTC-25-5500	M140	5 1/2	5672	569.3	22689	289	140	15	54.8
HNTC-25-M150	HNTC-25-6000	M150	6	6548	657.2	26192	311	150	15	68.2

HNTC-15 Range - MAX 1500 bar pressure

Part Number		Bolt Thread Size		Nut Maximum Load		Pressure Area	Nut OD	Nut Height	Nut Stroke	Weight
Metric	Imperial	Metric	Imperial	kN	tonf	HPA	A	H		
						mm <sup>2</sup>	mm	mm	mm	kg
HNTC-15-M22	HNTC-15-0875	M22	7/8	152	15.2	1011	57	44	5	0.7
HNTC-15-M24	HNTC-15-1000	M24	1	176	17.7	1175	60	45	5	0.8
HNTC-15-M27	HNTC-15-1125	M27	1 1/8	230	23.1	1531	65	46	5	1.0
HNTC-15-M30	-	M30	-	280	28.1	1869	73	48	5	1.3
HNTC-15-M33	HNTC-15-1250	M33	1 1/4	312	31.3	2081	78	52	6	1.6
HNTC-15-M36	HNTC-15-1375	M36	1 3/8	368	36.9	2450	85	56	6	2.0
HNTC-15-M39	HNTC-15-1500	M39	1 1/2	390	39.2	2602	88	58	6	2.2
HNTC-15-M42	HNTC-15-1625	M42	1 5/8	448	45.0	2989	93	61	6	2.6
HNTC-15-M45	HNTC-15-1750	M45	1 3/4	522	52.4	3483	101	64	6	3.2
HNTC-15-M48	HNTC-15-1875	M48	1 7/8	589	59.1	3928	107	68	8	3.8
HNTC-15-M52	HNTC-15-2000	M52	2	703	70.6	4688	116	70	8	4.6
HNTC-15-M56	HNTC-15-2250	M56	2 1/4	812	81.5	5413	125	72	8	5.5
HNTC-15-M60	-	M60	-	945	94.8	6299	134	74	8	6.5
HNTC-15-M64	HNTC-15-1500	M64	2 1/2	1070	107.4	7136	142	80	8	7.9
HNTC-15-M68	HNTC-15-2750	M68	2 3/4	1222	122.7	8147	152	84	10	9.5
HNTC-15-M72	HNTC-15-3000	M72	3	1384	138.9	9226	161	88	10	11.2
HNTC-15-M80	HNTC-15-3250	M80	3 1/4	1738	174.4	11584	179	92	10	14.5
HNTC-15-M90	HNTC-15-3500	M90	3 1/2	2236	224.4	14909	203	96	10	19.5
HNTC-15-M95	HNTC-15-3750	M95	3 3/4	2509	251.8	16728	215	100	10	22.8
HNTC-15-M100	HNTC-15-4000	M100	4	2798	280.8	18652	226	105	15	26.4
HNTC-15-M110	HNTC-15-4500	M110	4 1/2	3422	343.5	22815	250	110	15	34.0
HNTC-15-M125	HNTC-15-5000	M125	5	4477	449.3	29844	285	125	15	50.2
HNTC-15-M140	HNTC-15-5500	M140	5 1/2	5672	569.3	37815	321	140	15	71.6
HNTC-15-M150	HNTC-15-6000	M150	6	6548	657.2	43653	345	150	15	88.7