

SERIES: HNTC Hydraulic Nuts



HNTC Hydraulic Nuts are used in direct replacement of the existing conventional nut. They allow accurate loading of the bolt, and the load is then permanently retained by means of a load locking collar.

PAL PURE AXIAL LOADING

TensionPro hydraulic nuts allow bolts to be loaded with an accurate force that is directly proportional to the pressure applied to the tool.

NO FRICTION bolt tightening for an accurate and repeatable bolt tightening method.

The tensioner load or force is easily calculated:

$$F = (P \times A) / 10,000$$

Tensioner Force	F [kN]
Tool Pressure Area	A [mm ²]
Pressure	P [kN]

OPTIONS

- Thread sizes from M20 to M200
- Imperial or metric
- Designs to suit special load requirements
- Special threads
- Temperatures from 20° to 200°C
- Subsea use
- Long stroke designs
- Single or twin ports
- Corrosion resistant plating
- Stainless steel versions

SAFE AND RELIABLE

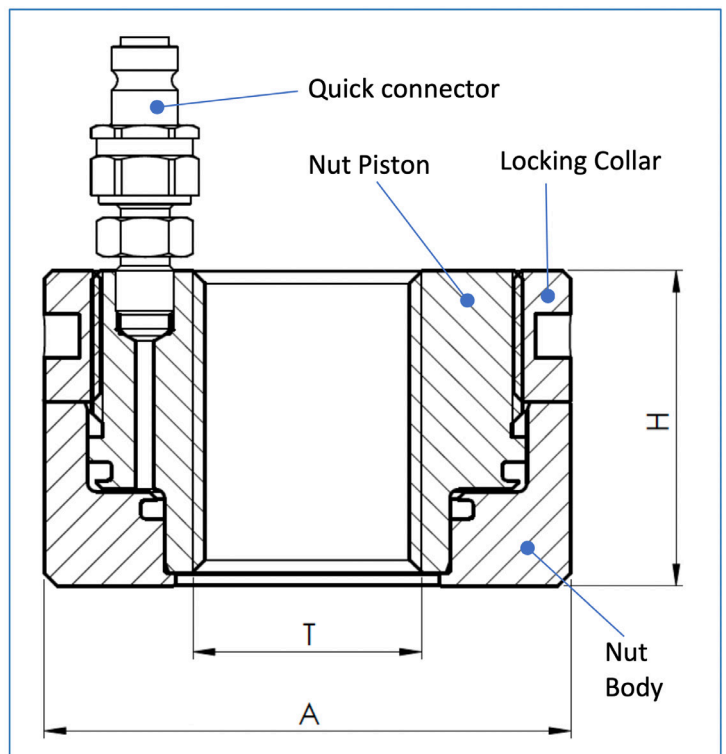
- CE marked
- Safe over-stroke device
- Max stroke indicator
- Pressure Test Certification
- Full colour operating and safety manual
- Long life performance

LATEST TECHNOLOGY

- Latest seal technology
- High cycle life
- Optimised load to weight ratio
- Integrated system with TensionPro pumps and hoses

PROCESS IMPROVEMENT

HNTC Hydraulic nuts are quick and simple to use. Installed by hand in minutes, multiple nuts are harnessed together to give **IMPROVED SPEED** for the bolt tightening process. The even joint compression ensures uniform bolt loading and gasket compression that gives superior bolted joint performance.



SERIES: HNTC Hydraulic Nuts

HTNTC-25 Range - MAX 2500 bar pressure

Part Number		Bolt Thread Size		Nut Maximum Load		Pressure Area	Nut OD	Nut Height	Nut Stroke	Weight
		T		F		HPA	A	H		
Metric	Imperial	Metric	Imperial	kN	tonf	mm ²	mm	mm	mm	kg
HNTC-25-M22	HNTC-25-0875	M22	7/8	152	15.2	607	55	44	5	0.7
HNTC-25-M24	HNTC-25-1000	M24	1	176	17.7	705	58	45	5	0.8
HNTC-25-M27	HNTC-25-1125	M27	1 1/8	230	23.1	919	60	46	5	0.8
HNTC-25-M30	-	M30	-	280	28.1	1121	66	48	5	1.0
HNTC-25-M33	HNTC-25-1250	M33	1 1/4	312	31.3	1248	71	52	6	1.3
HNTC-25-M36	HNTC-25-1375	M36	1 3/8	368	36.9	1470	77	56	6	1.6
HNTC-25-M39	HNTC-25-1500	M39	1 1/2	390	39.2	1561	80	58	6	1.7
HNTC-25-M42	HNTC-25-1625	M42	1 5/8	448	45.0	1793	85	61	6	2.0
HNTC-25-M45	HNTC-25-1750	M45	1 3/4	522	52.4	2090	92	64	6	2.5
HNTC-25-M48	HNTC-25-1875	M48	1 7/8	589	59.1	2357	97	68	8	3.0
HNTC-25-M52	HNTC-25-2000	M52	2	703	70.6	2813	105	70	8	3.6
HNTC-25-M56	HNTC-25-2250	M56	2 1/4	812	81.5	3248	113	72	8	4.2
HNTC-25-M60	-	M60	-	945	94.8	3779	122	74	8	5.1
HNTC-25-M64	HNTC-25-2500	M64	2 1/2	1070	107.4	4282	129	80	8	6.1
HNTC-25-M68	HNTC-25-2750	M68	2 3/4	1222	122.7	4888	137	84	10	7.3
HNTC-25-M72	HNTC-25-3000	M72	3	1384	138.9	5536	146	88	10	8.7
HNTC-25-M80	HNTC-25-3250	M80	3 1/4	1738	174.4	6950	162	92	10	11.2
HNTC-25-M90	HNTC-25-3500	M90	3 1/2	2236	224.4	8945	184	96	10	15.1
HNTC-25-M95	HNTC-25-3750	M95	3 3/4	2509	251.8	10037	194	100	10	17.5
HNTC-25-M100	HNTC-25-4000	M100	4	2798	280.8	11191	204	105	15	20.3
HNTC-25-M110	HNTC-25-4500	M110	4 1/2	3422	343.5	13689	225	110	15	26.0
HNTC-25-M125	HNTC-25-5000	M125	5	4477	449.3	17906	257	125	15	38.6
HNTC-25-M140	HNTC-25-5500	M140	5 1/2	5672	569.3	22889	289	140	15	54.8
HNTC-25-M150	HNTC-25-6000	M150	6	6548	657.2	26192	311	150	15	68.2

HTNTC-15 Range - MAX 1500 bar pressure

Part Number		Bolt Thread Size		Nut Maximum Load		Pressure Area	Nut OD	Nut Height	Nut Stroke	Weight
		T		F		HPA	A	H		
Metric	Imperial	Metric	Imperial	kN	tonf	mm ²	mm	mm	mm	kg
HNTC-15-M22	HNTC-15-0875	M22	7/8	152	15.2	1011	57	44	5	0.7
HNTC-15-M24	HNTC-15-1000	M24	1	176	17.7	1175	60	45	5	0.8
HNTC-15-M27	HNTC-15-1125	M27	1 1/8	230	23.1	1531	65	46	5	1.0
HNTC-15-M30	-	M30	-	280	28.1	1869	73	48	5	1.3
HNTC-15-M33	HNTC-15-1250	M33	1 1/4	312	31.3	2081	78	52	6	1.6
HNTC-15-M36	HNTC-15-1375	M36	1 3/8	368	36.9	2450	85	56	6	2.0
HNTC-15-M39	HNTC-15-1500	M39	1 1/2	390	39.2	2602	88	58	6	2.2
HNTC-15-M42	HNTC-15-1625	M42	1 5/8	448	45.0	2989	93	61	6	2.6
HNTC-15-M45	HNTC-15-1750	M45	1 3/4	522	52.4	3483	101	64	6	3.2
HNTC-15-M48	HNTC-15-1875	M48	1 7/8	589	59.1	3928	107	68	8	3.8
HNTC-15-M52	HNTC-15-2000	M52	2	703	70.6	4688	116	70	8	4.6
HNTC-15-M56	HNTC-15-2250	M56	2 1/4	812	81.5	5413	125	72	8	5.5
HNTC-15-M60	-	M60	-	945	94.8	6299	134	74	8	6.5
HNTC-15-M64	HNTC-15-1500	M64	2 1/2	1070	107.4	7136	142	80	8	7.9
HNTC-15-M68	HNTC-15-2750	M68	2 3/4	1222	122.7	8147	152	84	10	9.5
HNTC-15-M72	HNTC-15-3000	M72	3	1384	138.9	9226	161	88	10	11.2
HNTC-15-M80	HNTC-15-3250	M80	3 1/4	1738	174.4	11584	179	92	10	14.5
HNTC-15-M90	HNTC-15-3500	M90	3 1/2	2236	224.4	14909	203	96	10	19.5
HNTC-15-M95	HNTC-15-3750	M95	3 3/4	2509	251.8	16728	215	100	10	22.8
HNTC-15-M100	HNTC-15-4000	M100	4	2798	280.8	18652	226	105	15	26.4
HNTC-15-M110	HNTC-15-4500	M110	4 1/2	3422	343.5	22815	250	110	15	34.0
HNTC-15-M125	HNTC-15-5000	M125	5	4477	449.3	29844	285	125	15	50.2
HNTC-15-M140	HNTC-15-5500	M140	5 1/2	5672	569.3	37815	321	140	15	71.6
HNTC-15-M150	HNTC-15-6000	M150	6	6548	657.2	43653	345	150	15	88.7