

SERIES: HTST Spring Return Tensioners

1500 bar pressure
10 mm stroke



SAFE AND RELIABLE

- CE marked
- Over-stroke protection
- Max stroke indicator
- Pressure Test Certification
- Full colour operating and safety manual
- Long life performance

OPTIONS AND FEATURES

- Special threads
- Special load requirements
- Twin or single port
- Special bridge for tight clearance
- Oil pressure calculations
- Long stroke designs
- Interchangeable parts

HTST series standard range tensioners are versatile and reliable hydraulic tensioners suitable for all bolting applications. Optimised for top-side applications they are designed to suit ANSI, ASME and API flanges. With fast spring piston return they are perfect for tightening multi-bolt and multi-pass operations.

SPRING RETURN

HTST Spring Return Tensioners incorporate powerful internal springs to reset the tensioner piston ready for the next operation. Reduces operator fatigue and increases speed of tensioning.



NO OVER-STROKE

An internal valve prevents accidental piston over-stroke. This prevents unnecessary downtime to effect a seal replacement.



PAL PURE AXIAL LOADING

The TensionPro Tensioner method allows bolts to be loaded with an accurate force that is directly proportional to the pressure applied to the tool. **NO FRICTION** bolt tightening for an accurate and repeatable bolt tightening method.

The tensioner load or force is easily calculated:

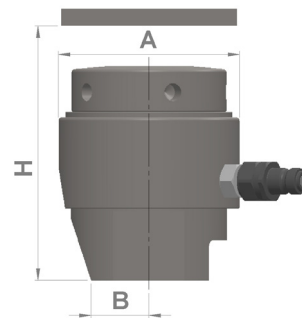
$$F = (P \times A) / 10,000$$

Tensioner Force	F [kN]
Tool Pressure Area	A [mm ²]
Pressure	P [kN]

SERIES: HTST Spring Return Tensioners

1500 bar pressure

10 mm stroke



Tool No	Bolt Thread Size		Maximum Tensioner Load		Pressure Area	Tool OD	Height Clear	Bridge Clear	Weight
	T		F		HPA	A	H	B	W
	inch	Metric	tonf	kN	mm ²	mm	mm	mm	kg
HTST-1	1	M24	28.1	280	1867	87	178	28	2.7
	1 1/8	M27					181	30	
HTST-2	1	M24	45.2	450	3001	103	175	30	4.1
	1 1/8	M27					181	30	
	1 1/4	M30					188	30	
	1 3/8	M33					195	35	
	-	M36					195	38	
HTST-3	1 1/4	M33	66.2	660	4401	118	190	35	5.4
	1 3/8	M36					197	38	
	1 1/2	M39					203	42	
	1 5/8	M42					209	42	
HTST-4	1 1/2	M39	101.4	1000	6668	140.5	211	42	8.4
	1 5/8	M42					217	45	
	1 3/4	M45					223	52	
	1 7/8	M48					230	52	
	2	M52					236	52	
HTST-5	2	M52	150.5	1500	10003	175.5	246	52	13.8
	2-1/4	M56					259	63	
	2 1/2	M60					272	68	
	2 3/4	M64					272	68	
	-	M68					284	70	
HTST-6	2- 3/4	M72	250.9	2500	16671	219	294	72	23
	3	M76					307	80	
	3 1/4	M80					320	84	
	3 1/2	M85					332	88	
	-	M90					332	88	
HTST-7	3-1/2	M90	321.2	3200	21339	252	339	88	32
	3 3/4	M95					352	94	
	4	M100					364	114	