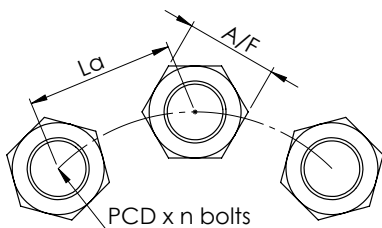
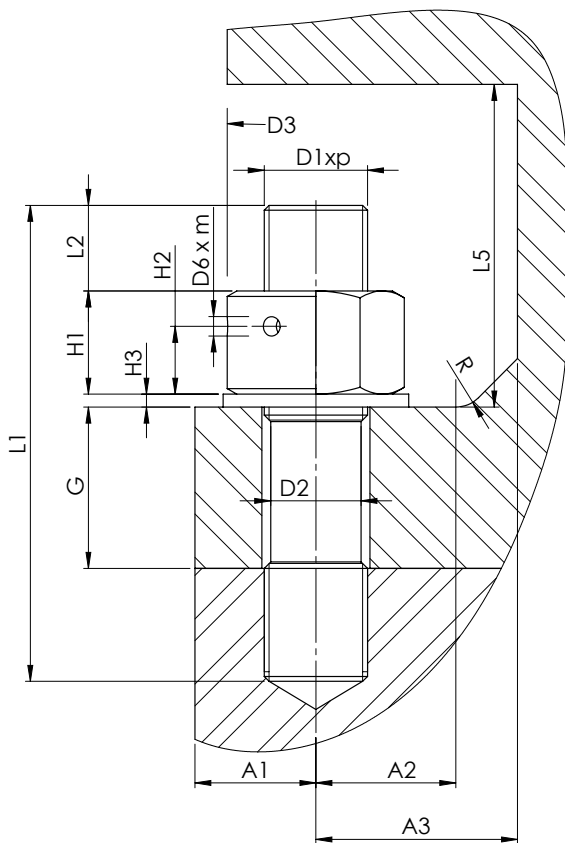


Tensioner Data Checklist

Please fill out the form with the data you have available and send to TensionPro to help our engineers design the best solution for your application. Our engineers will be pleased to help you if you have any questions about your application or need help getting design data required.

Company Name	
Contact Name	
Telephone Number	
Email Address	
Project Reference	
Application	

Essential Design Data



Required Tensioner Quantity	Qty	
Thread Diameter	D1	
Thread Pitch	p	
Bolt Length	L1	
Thread Protrusion over Nut	L2	
Grip Length	G	
Bolt Shank Diameter	D2	
Nut Across Flats	A/F	
Nut Diameter	D3	
Nut Height	H1	
Nut Turning Hole Diameter	D6	
Nut Turning Hole Quantity	m	
Nut Turning Hole Distance	H2	
Washer Inside Diameter	D4	
Washer Outside Diameter	D5	
Washer Thickness	H3	
Height Restriction	L5	
Hub Radius	R	
Flange Outer Edge	A1	
Flange Hub Radius	A2	
Flange/Pipe Inner Distance	A3	
Bolt Circle Diameter	BCD	
Number of Bolts	n	
Bolt Centres	La	
Required Tensioner Load	Fa	
Required Bolt Pre-stress Load	Fr	